

GSGD21B

GSSD25B

Caloric[®]

Side-by-Side Refrigerator

Owner's Manual

English Section
Français
Sección en castellano

2
25
52

10480905

Side-by-Side Refrigerator Owner's Manual

Contents

Electrical Requirements	2	Freezer Features	
Model Identification	3	General	13
Installation Information		Frost-Free System	13
General	4	Automatic Ice Maker	13
Removing Handles	4	Wire Shelves and Basket	14
Removing Doors	4	Door Buckets and Door Shelves	14
Connecting Ice Maker	5	Ice and Water Dispenser	15
Aligning Doors and Leveling Refrigerator	7	Care and Cleaning	
Setting Controls		General	16
Thermostatic	8	Adhesives	16
Refrigerator and Freezer	8	Door Gaskets	16
Refrigerator Features		Condenser Coils	16
General	9	Glass Shelves	16
Refrigerator Shelves	9	Odor Removal	17
Deli Drawer (some models)	9	Light Bulbs	18
Crisper Drawers	10	Energy Tips	19
Covered Utility Bucket	10	Vacation Tips	19
Dairy Center	10	Normal Operating Sounds	20
Temperature Controlled Refrigerator Door (some models)	11	Before Calling for Service	21
Door Buckets	11	Factory Service Centers	22
Door Shelves	12	Asure™ Extended Service Plan	22
		Warranty	23
		Installation Checklist	24

Electrical Requirements



RECOGNIZE THIS SYMBOL AS A SAFETY PRECAUTION



WARNING

Electrical Grounding Instructions -- This appliance is equipped with a three-prong (grounding) plug for protection against possible shock hazards. If a two-prong wall receptacle is encountered, contact a qualified electrician and have the two-prong wall receptacle replaced with a properly grounded three-prong wall receptacle in accordance with the National Electrical Code.

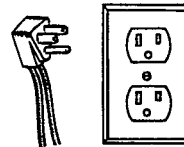
Refrigerator is designed to operate on a separate 103 to 126 volt, 15 amp., 60 cycle line.

DO NOT UNDER ANY CIRCUMSTANCES CUT OR REMOVE THE ROUND GROUNDING PRONG FROM THE PLUG. REFRIGERATOR MUST BE GROUNDED AT ALL TIMES. DO NOT REMOVE WARNING TAG FROM THE SERVICE CORD.



WARNING

DO NOT USE A TWO-PRONG ADAPTER.
DO NOT USE AN EXTENSION CORD.



Model Identification

Please read this Owner's Manual thoroughly. This manual provides proper maintenance information. Any questions, call the Consumer Affairs Department at **1-800-843-0304** inside U.S.A. and **1-319-622-5511** outside U.S.A.

Complete enclosed registration card and promptly return. If registration card is missing, call the Consumer Affairs Department.

When contacting Amana Refrigeration, Inc., provide product information. Locate product information on the nameplate, located in upper left corner of refrigerator section. Record the following information:

Model Number: _____
Manufacturing Number: _____
S/N or Serial Number: _____
Date of purchase: _____
Dealer's name and address: _____

Keep a copy of sales receipt for future reference.

Locate an authorized servicer by calling **1-800-NATLSVC (628-5782)** inside U.S.A. and **319-622-5511** outside U.S.A. Warranty service must be performed by an **authorized** servicer. Amana Refrigeration, Inc. also recommends contacting an **authorized** servicer if service is required after warranty expires.

Amana Refrigeration, Inc. offers a complete line of appliances...freezers, ranges, cooktops, wall ovens, microwave ovens, dishwashers, washers and dryers. Amana Refrigeration, Inc. also manufactures a complete selection of high efficiency gas furnaces plus both central and room air conditioners.

Enjoy this new Caloric® refrigerator.

Installation Information

General



Caution

To avoid personal injury, wear gloves when installing refrigerator.



Caution

To avoid property damage, protect soft vinyl or other flooring with cardboard, rugs or other protective material.

- Allow 1 inch (25.4 millimeters) clearance on top and 3/16 inch (4.8 millimeters) on both sides of refrigerator.

Removing Handles

1. Remove upper and lower handle trim from both doors by placing taped edge of putty knife underneath inside edge of trim and pulling forward.
2. Remove door handles by removing screws.
3. Replace door handles by reversing steps 1-2.

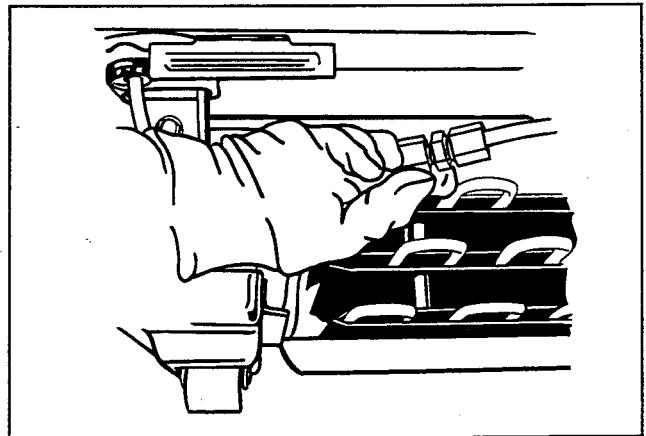
Removing Doors



Caution

To avoid personal injury or property damage, two people should remove and rehang doors.

1. Remove toe grille by pulling forward.
2. Loosen screw from water tube clamp on left side of refrigerator cabinet behind toe grille. Loosen plastic water tube union nut by hand. Pull water tube away from union nut and through tube clamp.

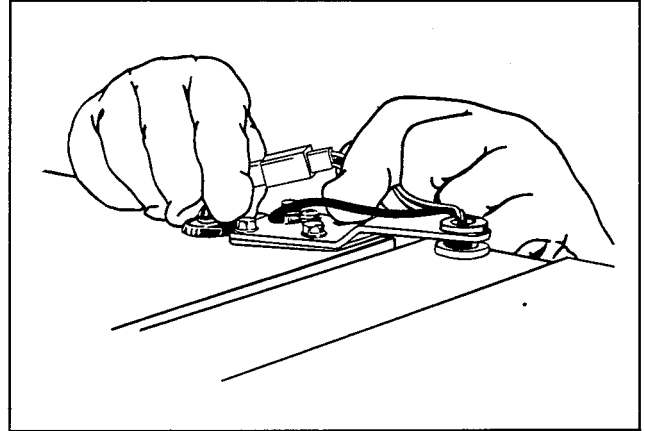




WARNING

To avoid electrical shock which can cause severe personal injury or death, green ground wire must remain attached to wire connectors.

3. Unplug top hinge wire connectors.
4. Remove top hinge screws then top hinges.
5. Remove doors by lifting doors off bottom hinges.
6. Rehang doors by reversing steps 1-5.



Connecting Ice Maker



Caution

To avoid property damage, observe the following:

- Confirm water pressure to water valve is at least 20 pounds per square inch.
- Start nuts by hand to avoid cross threading. Finish tightening nuts using an adjustable wrench. Do not overtighten.
- Check carefully for water leaks prior to returning refrigerator to normal location and 24 hours after connection.

Important

Before connecting ice maker, contact a plumber to connect copper tubing to household plumbing in compliance with local codes and ordinances. **Do not use self-piercing valve. Amana Refrigeration, Inc. is not responsible for property damage due to improper installation or water connection.**

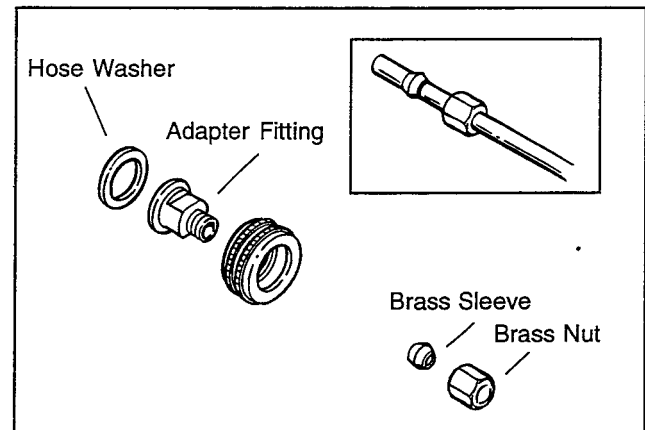
Materials Required

1/4 inch (6.4 millimeters) flexible copper tubing*.

*Length of copper tubing must reach from water supply connection plus an additional 8 feet (2.4 meters) for service loop behind refrigerator. Tubing should be soft instead of rigid and ends should be free of burrs.

Procedure

1. Turn off water supply to refrigerator.
2. Move refrigerator away from wall.
3. Seal end of copper tubing with masking tape to keep inside of copper tubing clean. Route copper tubing up to refrigerator through floor or interior wall behind refrigerator providing 3/8 inch (9.5 millimeters) holes as required. Copper tubing route must be above 35°F. (1.6°C.) to prevent water line from freezing.
4. Remove masking tape from end of copper tubing. Put end of copper tubing into sink or bucket. Slightly turn on water supply to refrigerator. Water will be under considerable pressure. Allow water to run through copper tubing to flush out copper tubing. Turn off water supply to refrigerator when flushing is complete.
5. Remove and retain lower cover by removing screws.
6. Assemble water valve coupling by removing nut and sleeve from adapter fitting. Slide brass nut and sleeve over end of copper tubing. Insert copper tubing completely into adapter fitting. Confirm hose washer is in place by checking adapter fitting. Tighten adapter fitting by hand. Tighten an additional 1/2 turn using an adjustable wrench. Connect nut on copper tubing to adapter fitting. Confirm copper tubing is secure by pulling on copper tubing.
7. Turn on water supply to refrigerator and check for leaks. Turn off water supply to refrigerator and correct any leaks. Repeat this process until no leaks are found, then completely turn on water supply to refrigerator.

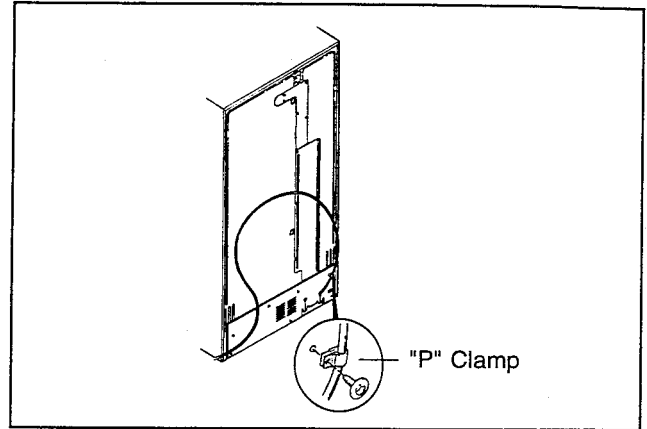


WARNING

To avoid electrical shock which can cause severe personal injury or death, all back covers must be installed before plugging in refrigerator.

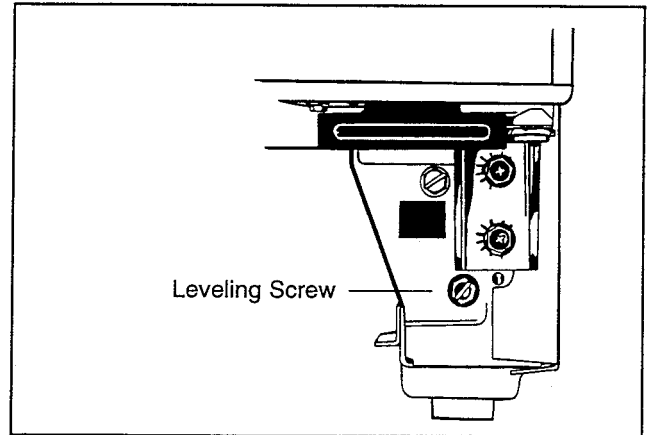
8. Replace lower back cover by reversing procedure in step 5. Tuck wires inside cover. Avoid pinching wires.

9. Create service loop using extreme care to avoid kinks. Secure copper tubing to refrigerator cabinet using "P" clamp.
10. Plug in refrigerator. While refrigerator is operating, check for leaks. Confirm water inlet tube in freezer remains firmly in place.
11. Move refrigerator in place.



Aligning Doors and Leveling Refrigerator

1. Check alignment of doors at top center.
2. If doors are not aligned, remove toe grille by pulling forward. Turn leveling screw clockwise to raise door or counterclockwise to lower door. Leveling screw for refrigerator door is on right side. Leveling screw for freezer door is on left side.
3. Open and close both doors completely to confirm doors are aligned.



Important

When doors are aligned, refrigerator is level side-to-side. If refrigerator cannot be level due to flooring, use shims under roller(s) to level refrigerator.

4. Replace toe grille by inserting clips in holes and snapping in.

Setting Controls

This refrigerator operates most efficiently in normal household temperatures of 55° to 110°F. (13° to 43°C.)

Thermostatic Control

Locate thermostatic control on upper rear wall of refrigerator section. Thermostatic control operates independently of freezer control. A hidden thermostatic sensor measures refrigerator air temperature constantly. If temperature rises as little as 1 1/2°F. (.8°C.), thermostatic control lets in more cold air.

Refrigerator and Freezer Controls

Locate refrigerator and freezer controls on upper rear wall of refrigerator section.

When freezer control is set to off, neither refrigerator nor freezer sections will cool. Initially, set both controls to 4. Wait 24 hours for refrigerator or freezer sections to reach desired temperatures. After 24 hours, adjust controls as desired. 1 is warmest setting and 7 is coldest.

Set temperatures precisely using a household thermometer that includes temperatures between -5° to 50°F. (-21° to 10°C.).

Put thermometer snugly between frozen packages in freezer section. Wait 5-8 hours. If freezer temperature is not 0° to 2°F. (-17° to -16°C.), adjust control, one number at a time. Check again after 5-8 hours.

Put thermometer in a glass of water in middle of refrigerator section. Wait 5-8 hours. If refrigerator temperature is not 38° to 40°F. (3° to 4°C.), adjust control, one number at a time. Check again after 5-8 hours.

Refrigerator Features

General



Caution

To avoid property damage, confirm shelf is secure before replacing items on shelf.

Refrigerator Shelves

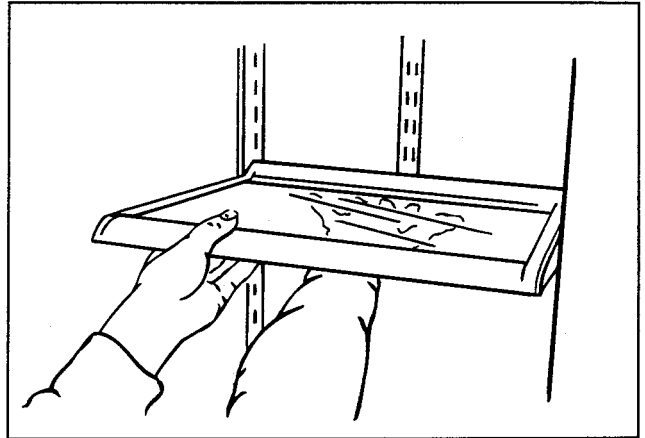
Refrigerator shelves adjust to meet storage needs.



Caution

To avoid personal injury or property damage, handle tempered glass shelves carefully. Shelves may break suddenly if nicked, scratched or exposed to sudden temperature change.

- Remove shelves by lifting front and releasing hooks from metal track.
- Replace shelves by inserting hooks into metal track and lowering front.



Deli Drawer (some models)

- Remove drawer by lifting and pulling out. Refer to "Refrigerator Shelves" for instructions on removing and replacing shelf.
- Replace drawer by sliding in.

Crisper Drawers

Crisper drawers store fresh fruits and vegetables. Wrap produce tightly to keep fresh longer. Do not wash produce before placing in crisper drawers. Excess moisture could cause produce to spoil. Do not line crisper drawers with paper towels. Paper towels will retain moisture.

Locate control on front trim to adjust humidity setting. Standard drawers are permanently set at high humidity. Slide control to *high* for leafy produce such as lettuce, spinach or cabbage. Slide control to *low* for produce with skins such as cauliflower, corn or tomatoes.

- Remove drawers by lifting and pulling out. Refer to "Refrigerator Shelves" for instructions on removing and replacing shelf.
- Replace drawers by sliding in.

Covered Utility Bucket

Utility bucket has a removable egg tray. When tray is removed, bucket will accept items such as a standard egg carton, ice, etc.

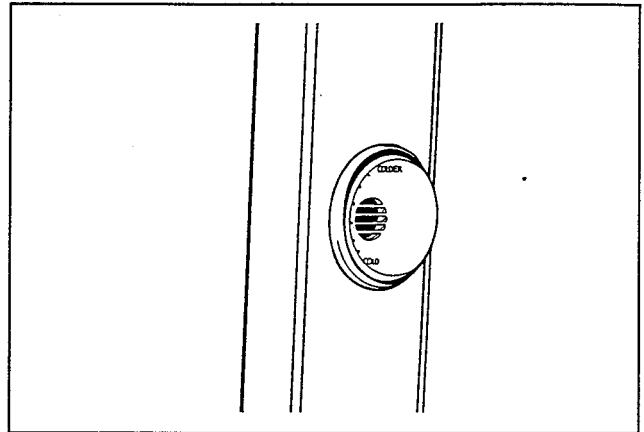
Dairy Center

1. Remove door by opening door, pushing in slightly near hinges and pulling out.
2. Remove door buckets (some models) by pushing tabs toward center and pulling out.
3. Replace door and door bucket (some models) by reversing steps.

Temperature Controlled Refrigerator Door (some models)

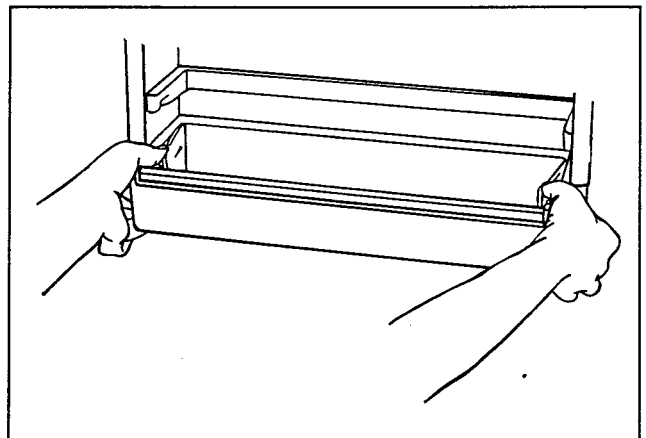
Temperature control allows adjustment of refrigerator door temperatures. Air inlet allows air to pass to door shelves. Locate air inlet on interior wall of refrigerator door.

Locate control dial on left front wall of refrigerator section. Control dial adjusts amount of air. Turn dial clockwise for colder temperatures and counterclockwise for cold temperatures. _____



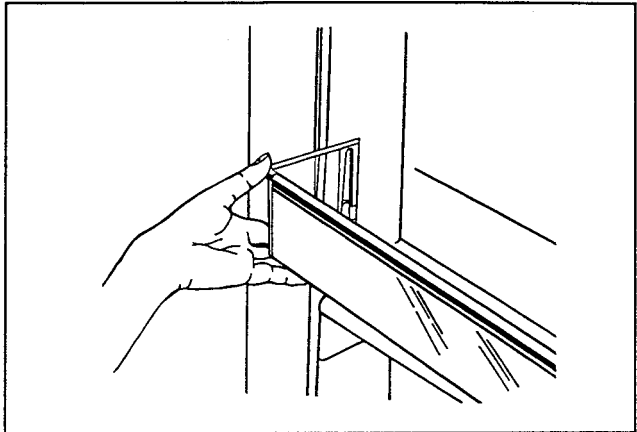
Door Buckets

- Remove door buckets by pushing tabs toward center and pulling out. _____
- Replace door buckets by sliding in until tabs lock into place.

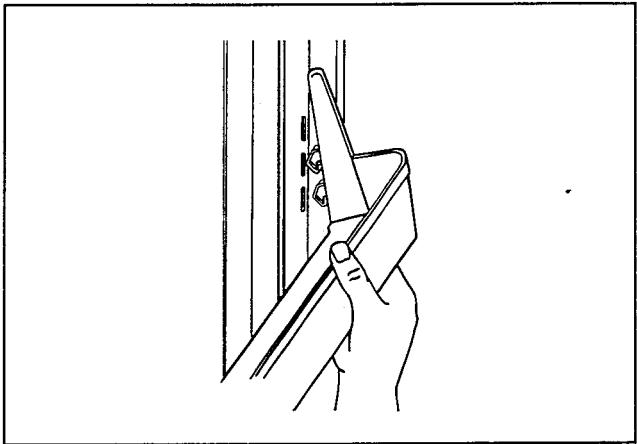


Door Shelves

- Remove slide-style door shelves by lifting and pulling out. _____
- Replace slide-style door shelves by reversing step.



- Remove hook-style door shelves by tapping up each end. Lift bottom of shelf to release hooks. _____
- Replace hook-style shelves by inserting hooks and lowering bottom of shelf. Tap down on ends.



Freezer Features

General



Caution

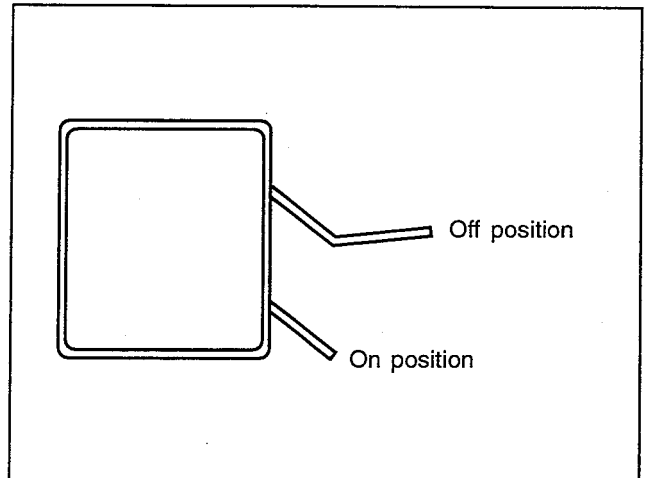
To avoid property damage, confirm shelf is secure before replacing items on shelf.

Frost-Free System

Refrigerator and freezer sections are completely frost-free. Defrosting is automatic. Under normal conditions, refrigerator and freezer sections never have to be defrosted.

Automatic Ice Maker

- Confirm ice bucket is in place and ice maker arm is down.
- After freezer section reaches normal temperature, ice maker fills with water and begins operating. Allow 24-48 hours after installation before first harvest of ice. Ice maker produces seven to nine harvests of ice in a 24-hour period under ideal conditions.
- After ice is formed, ice maker drops ice cubes into ice storage bucket. During ice production, ice maker arm raises and lowers. When ice storage bucket is full, ice maker arm turns ice maker off.



Important

Discard first three harvests of ice so any impurities are not consumed.

- Stop ice production by lifting ice maker arm. A definite click is heard when proper position is reached. Ice maker arm will remain in that position.

Important

Do not force ice maker arm down or up, past stop position.

Wire Shelves and Basket

Wire shelves and basket slide out for easier access of items in back.

- Remove shelves and basket by lifting and pulling out.
- Replace shelves and basket by reversing step.

Door Buckets and Door Shelves

Refer to "Door Buckets and Door Shelves" in "Refrigerator Features" section for instructions on removing and replacing door buckets and door shelves.

Ice and Water Dispenser



Caution

To avoid personal injury or property damage, observe following instructions:

- Do not operate dispenser with freezer door open.
- Do not put fingers, hands, or any foreign object into dispenser opening.
- Do not use sharp objects to break ice.

Water Dispenser Operation

- Dispense water by pressing container against water dispenser bar.
- Stop water dispensing by releasing pressure on bar. A small amount of water may continue to fall. Spill shelf is not self-draining. Large spills should be wiped dry.

Important

It takes approximately one minute after initially connecting refrigerator to household water supply before water dispenses.

Ice Dispenser Operation

- Select cubed or crushed (some models) mode by sliding lever on dispenser panel. Dispense ice by pressing wide mouthed container against ice dispenser bar. Hold container close to chute to minimize spraying ice.



Caution

To avoid property damage, do not dispense ice directly into thin glass, fine china or delicate crystal.

- Stop ice dispensing by releasing pressure on bar before container is full. Some ice will continue to fall. Do not remove container until last of ice falls.

If dispensing ice continuously, dispenser motor shuts off after four to five minutes. Motor resets after three minutes and dispensing can continue.

A slight delay occurs when switching between cubed and crushed modes. Pieces of crushed ice will vary in size and shape. "Snow" may form on door and ice chute when repeatedly dispensing crushed ice. Allow "snow" to evaporate or wipe dry.

Dispenser operates only with cubes of proper size and crescent shape. Do not add purchased ice cubes or other cubes.

Removing Ice Bucket

- Remove ice bucket by lifting bucket and pulling forward.
- Replace ice bucket by sliding in until bucket locks in place. Ice bucket must be locked in place for proper ice dispensing.

Dispenser Light

A light is activated when dispensing ice or water.

Water Taste and Odor

Observe the following to minimize taste and odor difficulties:

- Throw away first 10 to 14 regular glasses of water after initially connecting refrigerator to household water supply.
- Flush water system and reservoir as above after extended periods of non-use.
- Wrap foods in tightly sealed containers or moisture proof bags.
- Install water filter on water line.
- Contact local water treatment company for specialized help if difficulties persist.

Care and Cleaning



WARNING

To avoid electrical shock which can cause severe personal injury or death, disconnect power to refrigerator before cleaning. After cleaning, restore power.



Caution

To avoid personal injury or property damage, read and follow all cleaning product manufacturer's directions.

General

1. Wash surfaces with four tablespoons baking soda dissolved in one quart warm water and a soft, clean cloth.
2. Rinse surfaces with warm water. Dry surfaces with a soft, clean cloth.

Important

- Do not use the following items:
 - abrasive or harsh cleaners, ammonia, chlorine bleach, etc.
 - concentrated detergents or solvents
 - metal scouring padsThese items can scratch, crack and discolor surfaces.
- Do not place refrigerator shelves or accessories in dishwasher.

Adhesives

Remove glue residue by dabbing toothpaste over adhesive. Rub toothpaste into adhesive with fingers until adhesive loosens. Rinse surface with warm water. Dry surface with a soft, clean cloth.

Door Gaskets

1. Clean door gaskets every three months or more frequently if necessary.
2. Rinse and dry gaskets thoroughly.
3. Apply a light film of petroleum jelly to keep gaskets pliable.

Condenser Coils

Clean condenser coil every three months. Accumulated dust and lint cause the following:

- reduced cooling performance
- increased energy usage
- premature part failure

1. Remove toe grille by pulling forward.
2. Clean coil with a vacuum cleaner hose nozzle.
3. Replace toe grille by inserting clips in holes and snapping in.



Caution

To avoid property damage, protect soft vinyl or other flooring with cardboard, rugs or other protective material.

4. Pull refrigerator away from wall. Run a vacuum brush across condenser fan outlet grille on back of refrigerator cabinet.

Glass Shelves



Caution

To avoid personal injury or property damage, handle tempered glass shelves carefully. Shelves may break suddenly if nicked, scratched or exposed to sudden temperature change.

Remove shelf and place on a towel. Allow shelf to adjust to room temperature before cleaning.

Clean crevices by doing the following:

1. Dilute mild detergent and brush solution into crevices using a plastic bristle brush. Let set for five minutes.
2. Spray warm water into crevices using faucet spray attachment.
3. Dry shelf thoroughly and replace.

Odor Removal

1. Remove all food.
2. Wash all interior surfaces including ceiling, floor and walls. Pay special attention to corners, crevices and grooves. Include all accessories, drawers, shelves and gaskets.
3. Rinse and dry thoroughly.
4. Wash all bottles, jars and containers before returning food to refrigerator. Wrap foods in tightly sealed containers to prevent further odor. After 24 hours, check if odor was eliminated.

If odor was not eliminated, do the following:

1. Complete procedures in steps 1-3 above.
2. Place crisper drawers on top shelf of refrigerator section. Pack refrigerator and freezer including doors with crumpled sheets of black and white newspaper.
3. Place charcoal briquettes randomly throughout newspaper.
4. Close doors and let stand 24-48 hours.
5. Remove charcoal briquettes and newspapers. Wash all interior surfaces including ceiling, floor and walls. Pay special attention to corners, crevices and grooves. Include all accessories, drawers, shelves and gaskets.
6. Wash all bottles, jars and containers before returning food to refrigerator. Wrap foods in tightly sealed containers to prevent further odor. After 24 hours, check if odor was eliminated.

If odor was still not eliminated, contact Consumer Affairs Department.

Light Bulbs



WARNING

To avoid electrical shock which can cause severe personal injury or death, disconnect power to refrigerator before replacing light bulb. After replacing light bulb, restore power.



Caution

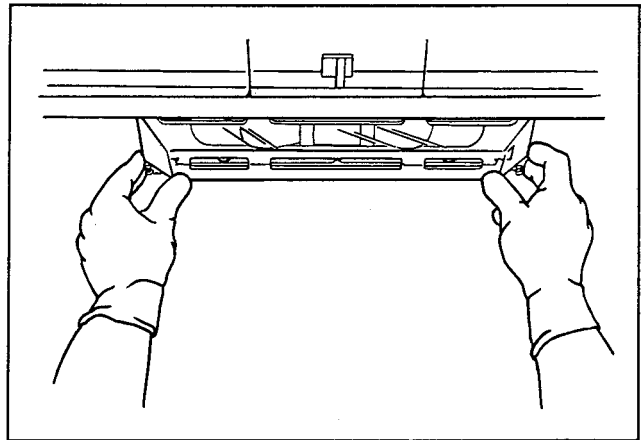
To avoid personal injury or property damage, observe the following:

- Allow light bulb to cool.
- Wear gloves when replacing light bulb.

Replace refrigerator and freezer bulbs with 40-watt appliance bulbs.

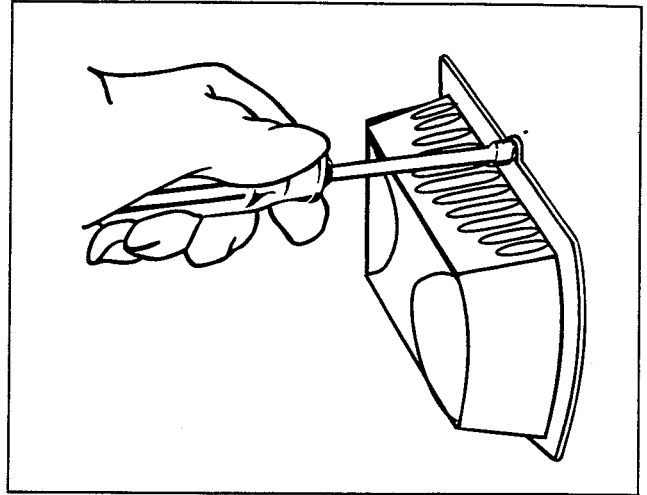
Upper Refrigerator Section

- Remove light bulb cover by pushing in on back corners. Slide cover back.
- Replace light bulb cover by reversing step.



Freezer Section

1. Remove ice bucket by lifting bucket and pulling forward.
 2. Remove light bulb cover using socket wrench.
-
3. Replace light bulb cover and ice bucket by reversing steps 1-2.



Ice and Water Dispenser

Locate light bulb between dispenser arms. Unscrew light bulb and replace with 6-watt, 120-volt bulb.

Energy Tips

This refrigerator is designed to be one of the most energy efficient refrigerators available. Reduce energy use by doing the following:

- Operate in normal room temperatures away from heat sources and direct sunlight.
- Set refrigerator and freezer controls no colder than necessary.
- Keep freezer section full.
- Keep door gaskets clean and pliable. Replace gaskets if worn.
- Keep condenser coils clean.

Vacation Tips

For short vacations, remove perishable foods. If an ice maker is installed, move ice maker arm to off position.

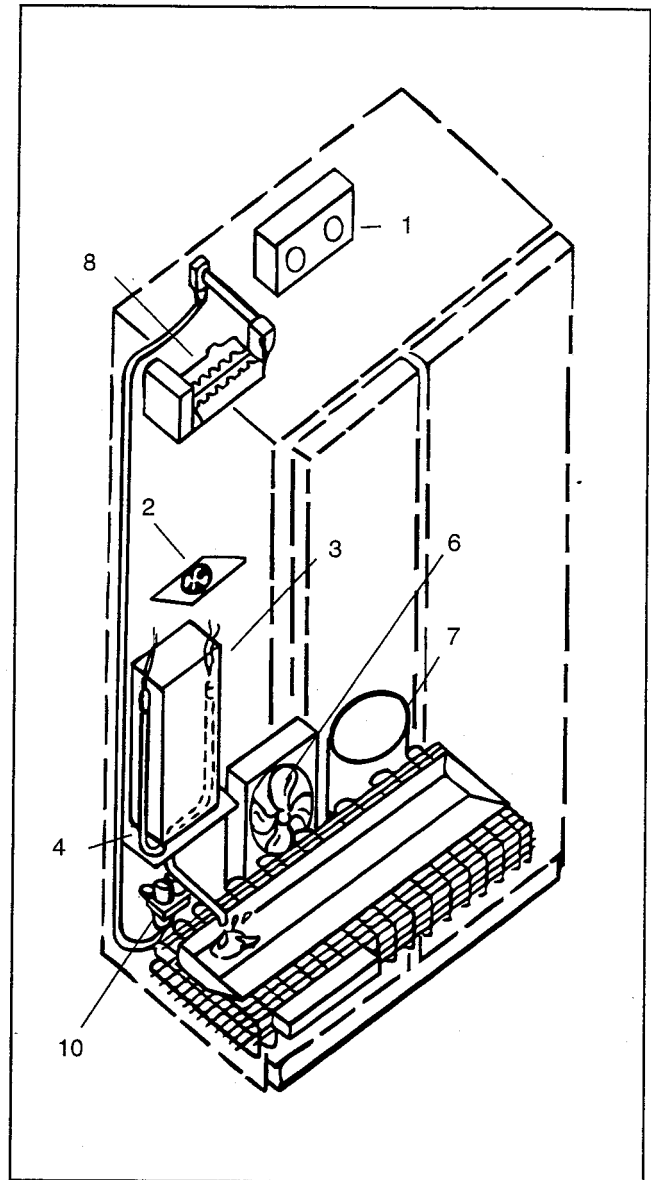
For long vacations, do the following:

1. Empty refrigerator and freezer sections.
2. Unplug refrigerator.
3. Clean refrigerator including door gaskets.
4. Prop doors open, so air can circulate inside.
5. If an ice maker is installed, turn water supply to refrigerator off and move ice maker arm to off position.

Normal Operating Sounds

This new refrigerator may be replacing a differently designed, less efficient or smaller refrigerator. Today's refrigerators have new features and are more energy efficient. As a result, certain sounds may be unfamiliar. These sounds are normal and will soon become familiar. These sounds also indicate refrigerator is operating and performing as designed.

1. **Freezer Control**
Freezer control clicks when starting or stopping compressor.
2. **Freezer Fan**
Freezer fan air rushes and whirs.
3. **Sealed System (Evaporator/Heat Exchanger)**
Sealed system refrigerant flow gurgles, pops or sounds like boiling water.
4. **Defrost Heater**
Defrost heater sizzles, hisses or pops.
5. **Defrost Timer**
Defrost timer sounds like an electric clock and snaps in and out of defrost cycle.
6. **Condenser Fan**
Condenser fan air rushes and whirs.
7. **Compressor**
Compressor has a high pitched hum or pulsating sound.
8. **Ice Maker**
Ice cubes drop into ice bucket.
9. **Ice Auger**
Ice auger hums as auger agitates ice during dispensing.
10. **Ice Maker Water Valve Hookup**
Ice maker water valve hookup buzzes when ice maker fills with water. This occurs whether or not refrigerator is connected to water supply. If refrigerator is not connected to water supply, stop sound by raising ice maker arm to off position.
11. **Insulation**
Foam insulation is very energy efficient and has excellent insulating capabilities. However, foam insulation is not as sound absorbent as previously used fiberglass insulation.



Before Calling For Service

Refrigerator does not operate

- Confirm freezer control is on.
- Confirm refrigerator is plugged in.
- Check fuse or circuit breaker. Plug in another item at that wall outlet.
- Wait 40 minutes to see if refrigerator restarts. If freezer control is on, lights work but two fans and compressor are not operating, refrigerator may be in defrost cycle.

Refrigerator still won't operate

- Unplug refrigerator. Transfer food to another unit or place dry ice in freezer section to preserve food. **Warranty does not cover food loss.** Check warranty certificate for specific coverage.
- Call **1-800-NATLSVC (528-5782)** inside U.S.A. and **319-622-5511** outside U.S.A. to locate an authorized servicer.

Food temperature appears too warm

- See above sections.
- Allow time for recently added food to reach refrigerator or freezer temperature.
- Check gasket for proper seal.
- Clean condenser coil.
- Adjust refrigerator and/or freezer control.
- Confirm rear air grille is not blocked. Rear air grille is located behind left crisper.

Food temperature is too cold

- Clean condenser coil.
- Adjust refrigerator control.
- Adjust freezer control to warmer setting. Allow several hours for temperature to adjust.

Refrigerator runs too frequently

- It may be normal to maintain an even temperature.
- Doors may have been opened frequently or for an extended period of time.
- Clean condenser coil.
- Adjust freezer control.
- Check gaskets for proper seal.

Water droplets form on inside of refrigerator

- It is normal during high humidity periods or if doors have been opened frequently.

Water droplets form on outside of refrigerator.

- Check door gaskets for proper seal.

Crisper drawers do not close freely

- Check for a package which may prevent drawer from closing properly.
- Confirm drawer is in proper position.
- Clean drawer channels with warm, soapy water. Rinse and dry thoroughly.
- Apply a thin layer of petroleum jelly to drawer channels.
- Confirm refrigerator is level.

Refrigerator has an odor

- See "Odor Removal" instructions in "Care and Cleaning" section.

Refrigerator or ice maker make unfamiliar sounds or seems too loud

- It may be normal. See "Normal Operating Sounds" section.

Ice maker is not producing ice

- Confirm ice maker arm is down.
- Confirm household water supply is reaching water valve.
- Confirm ice maker wiring harness is completely inserted into proper holes.
- Check for kinks in copper or plastic tubing. Remove kinks or replace tubing.
- Check electrical connections to water valve coil and connector block on refrigerator cabinet.
- Confirm freezer section is operating at proper temperature.

Ice cubes have an odor

- See "Odor Removal" instructions in "Care and Cleaning" section.
- Discard ice and clean ice bucket or trays more frequently. Ice cubes are porous and absorb odors easily.

Ice cubes stick together or "shrink"

- Empty ice cube bucket or trays more frequently. If used infrequently, ice cubes may stick together or shrink.

Ice forms in inlet tube to ice maker

- Check water pressure. Low water pressure will cause valve to leak. Self-piercing valves cause low water pressure. **Do not use self-piercing valve. Amana Refrigeration, Inc. is not responsible for property damage due to improper installation or water connection.**

Factory Service Centers

Listed below are Factory Service Centers which service most metropolitan and surrounding areas. Amana Refrigeration, Inc. also has a network of independent authorized servicers. Locate a Factory Service Center or independent servicer by calling **1-800-NATLSVC (628-5782)** inside U.S.A. and **319-622-5511** outside U.S.A. When contacting Amana Refrigeration, Inc., provide product information. Locate product information on the nameplate, located in upper left corner of refrigerator section. Warranty service must be performed by an **authorized** servicer. Amana Refrigeration, Inc. also recommends contacting an **authorized** servicer if service is required after warranty expires.

Amana Factory Service Center Arizona
Also dispatches service in areas of Nevada

Amana Factory Service Center Northern California

Amana Factory Service Center Southern California

Amana Factory Service Center Colorado
Also dispatches service in areas of Utah

Amana Factory Service Center Florida

Amana Factory Service Center Georgia
Also dispatches service in areas of Alabama, North Carolina, South Carolina and Tennessee

Amana Factory Service Center Iowa
Also dispatches service in areas of Kansas, Minnesota, Missouri and Wisconsin

Amana Factory Service Center Illinois
Also dispatches service in areas of Indiana and Kentucky

Amana Factory Service Center Massachusetts
Also dispatches service in areas of New Hampshire and Rhode Island

Amana Factory Service Center Maryland
Also dispatches service in areas of Pennsylvania, Virginia and Washington D.C.

Amana Factory Service Center New York
Also dispatches service in areas of Connecticut and New Jersey

Amana Factory Service Center Ohio
Also dispatches service in areas of Michigan and Pennsylvania

Amana Factory Service Center Texas

Amana Factory Service Center Washington
Also dispatches service in areas of Oregon

Asure™ Extended Service Plan

Amana Refrigeration, Inc. is pleased to offer long-term service protection on this new refrigerator. Asure™ Extended Service Plan is specially designed to supplement Amana's strong warranty. Asure™ provides budget-protecting coverage on refrigerator for up to five full years and includes parts, labor and travel charges. A participating Caloric® dealer has details.

Warranty

REFRIGERATOR

FULL ONE YEAR WARRANTY FULL FIVE YEAR WARRANTY ON SEALED SYSTEM COMPONENTS AND FOOD COMPARTMENT LINER

FIRST YEAR

Amana Refrigeration Inc. will repair or replace, free of charge, any part which is defective due to workmanship or materials.

SECOND THROUGH FIFTH YEAR

Amana Refrigeration Inc. will replace, free of charge, any sealed system component (compressor, condenser, evaporator and interconnecting tubing) and repair any food compartment liner (exclusive of door liner) which is defective due to workmanship or materials.

WARRANTY LIMITATIONS:

- Begins at date of original purchase.
- Applies to product used within the United States or in Canada if product has Canadian Standards Association listing when shipped from the factory.
- Service must be performed by an authorized Caloric® servicer.

WARRANTY IS VOID IF:

- Nameplate is defaced.
- Product is used on a commercial, rental or leased basis.
- Product has defect or damage due to product alteration, connection to an improper electrical supply, shipping and handling, accident, fire, flood, lightning or other conditions beyond the control of Amana Refrigeration, Inc.
- Product is improperly installed or used.

OWNER'S RESPONSIBILITIES:

- Provide proof of purchase (sales receipt).
- Provide normal care and maintenance. Replace owner replaceable items where directions appear in owner's manual.
- Make product reasonably accessible for service.
- Pay premium service costs for service outside servicer's normal business hours.
- Pay for service calls related to product installation.

IN NO EVENT SHALL AMANA REFRIGERATION, INC. BE LIABLE FOR INCIDENTAL OR CONSEQUENTIAL DAMAGES INCLUDING FOOD LOSS*

*This warranty gives you specific legal rights and you may have others which vary from state to state. For example, some states do not allow the exclusion or limitation of incidental or consequential damages so this exclusion may not apply to you.

Any questions regarding the above or to locate an authorized servicer, contact:

Amana Refrigeration, Inc.
2800 220th Trail
PO Box 8901
Amana, Iowa 52204-0001
1-800-843-0304 inside U.S.A.
1-319-622-5511 outside U.S.A.

Installation Checklist

Consumer Installer

Doors

- | | | |
|--------------------------|--------------------------|---|
| <input type="checkbox"/> | <input type="checkbox"/> | Doors are aligned with top and side edges of refrigerator cabinet. |
| <input type="checkbox"/> | <input type="checkbox"/> | Doors seal completely to refrigerator cabinet. |
| <input type="checkbox"/> | <input type="checkbox"/> | Handles are solidly attached to doors. |
| <input type="checkbox"/> | <input type="checkbox"/> | If doors were removed to install refrigerator, top hinge wire connectors are reconnected. |

Leveling

- | | | |
|--------------------------|--------------------------|--|
| <input type="checkbox"/> | <input type="checkbox"/> | Refrigerator is level side to side. |
| <input type="checkbox"/> | <input type="checkbox"/> | Toe grille is properly attached to refrigerator. |

Ice Maker

- | | | |
|--------------------------|--------------------------|--|
| <input type="checkbox"/> | <input type="checkbox"/> | Water supply to refrigerator is turned on. |
| <input type="checkbox"/> | <input type="checkbox"/> | Water leaks are not present at connection between household water supply and refrigerator. (After 24 hours, consumer should check connection for water leaks.) |
| <input type="checkbox"/> | <input type="checkbox"/> | Ice maker arm is in off position for ice production. (It may take up to 24 hours for first harvest of ice.) |

Product Literature

Owner's manual is reviewed including the following information:

- Product Registration Card
- Refrigerator and Freezer controls
- Crispers Drawers
- Normal Operating Sounds

Notes _____

Consumer's Signature

Installer's Signature

Installer's Company Name/Phone Number

Date